

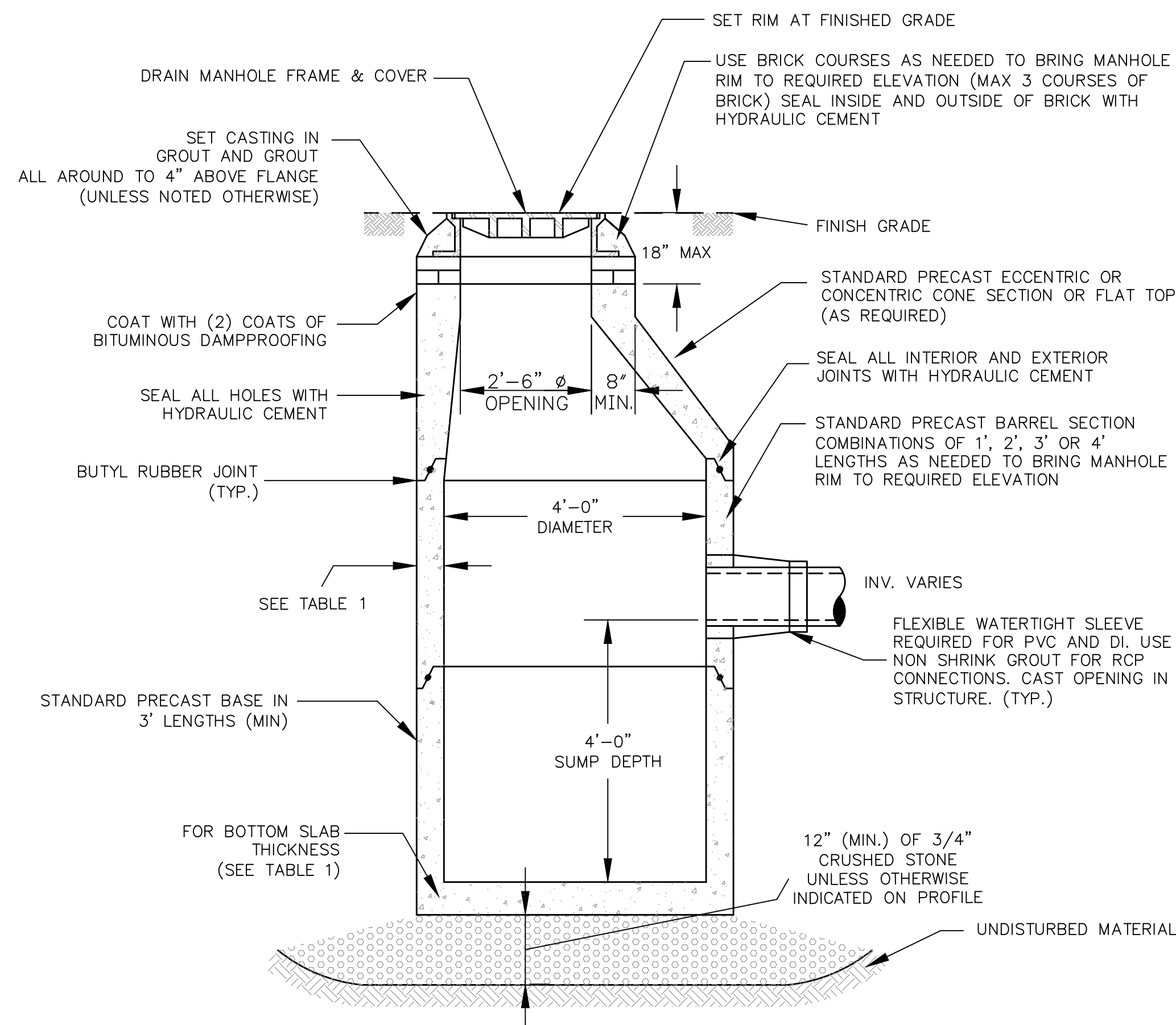
GENERAL NOTES
 RECHARGER 360HD BY CULTEC, INC. OF BROOKFIELD, CT.
 STORAGE PROVIDED = 10 CF/FT PER DESIGN UNIT.
 REFER TO CULTEC, INC.'S CURRENT RECOMMENDED INSTALLATION GUIDELINES.
 USE RECHARGER 360HD HEAVY DUTY FOR TRAFFIC AND/OR H-25 APPLICATIONS.

ALL RECHARGER 360HD HEAVY DUTY UNITS ARE MARKED WITH A COLOR STRIPE FORMED INTO THE PART ALONG THE LENGTH OF THE CHAMBER.
 ALL RECHARGER 360HD CHAMBERS MUST BE INSTALLED IN ACCORDANCE WITH ALL APPLICABLE LOCAL, STATE AND FEDERAL REGULATIONS.

INFILTRATION SYSTEM SECTION

SCALE: N.T.S.

STATIC STORAGE BELOW OVERFLOW (RIM=96.5)		
CULTECH CHAMBERS	CRUSHED STONE	TOTAL PROVIDED
(87 chambers x 36.6 C.F./chamber) + (6.5 C.F. end cap volume x 2 x 11 rows) = 3,327 C.F.	[(30' W. x 37.5' L. x 7.75' H.) - 3,327 C.F.] x 0.35 voids = 1,887 C.F.	3,327 C.F. + 1,887 C.F. = 5,214 C.F. = 39,000 Gallons



DRAIN MANHOLE DETAIL (TYP.)

SCALE: N.T.S.

Sherwood Consulting & Design, LLC
 26 Smith Place, Suite 2
 Cambridge, MA 02138
 (617) 945-0940 www.sherwoodcd.com

WALNUT RD. INFILTRATION
 DETAILS

PREPARED FOR
 TOWN OF SWAMPSCOTT

C-2

DATE: 5/17/19

SCALE: AS NOTED