

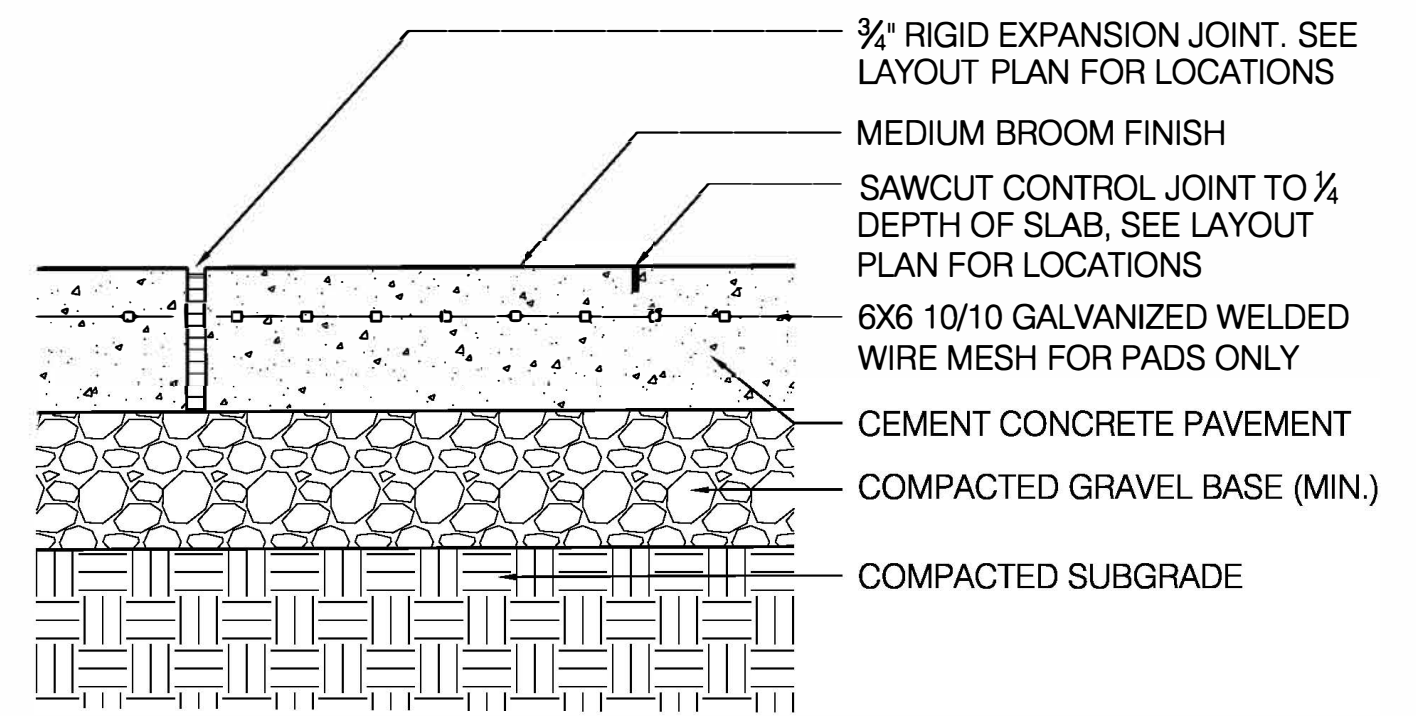
4 DETECTABLE WARNING PAVERS N.I.C.
SCALE: 1" = 1'-0"

- LEGEND**
- REMOVE AND DISPOSE
 - STRAW WATTLE
 - SAWCUT LIMIT
 - LIMIT OF WORK

1 PRESTON BEACH SITE PREP PLAN N.I.C.
SCALE: 1/8" = 1'-0"

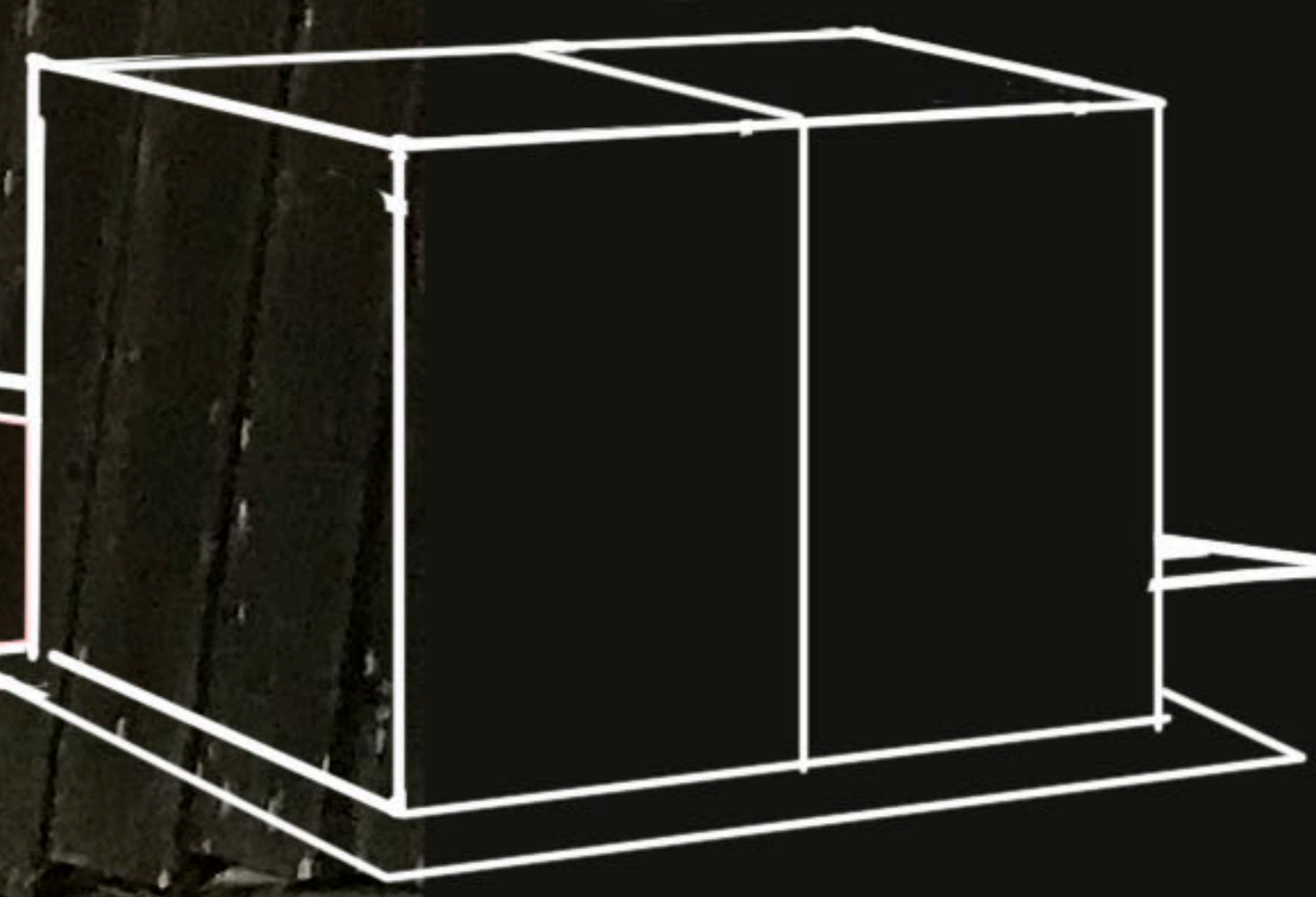
- LEGEND**
- PRECAST CONC. UNIT PAVERS
 - VERT. GRANITE BEACH MARKER
 - FLUSH MTD. GRANITE CURB
 - LIMIT OF WORK

2 PRESTON BEACH MATERIAL PLAN
SCALE: 1/8" = 1'-0"



3 P.I.P. CONCRETE PAVING N.I.C.
SCALE: 1 1/2" = 1'-0"

RECREATION
PERMIT
PARKING
ONLY
MAY 1 TO
OCT 1





CLIENT:

TOWN OF SWAMPSCOTT

22 MONUMENT AVE.
SWAMPSCOTT, MA, 01907

REVISIONS:

REV	DATE	NOTE

PROJECT:

PRESTON BEACH ACCESS

HUMPHREY STREET SWAMPSCOTT, MA, 01907

DRAWING:

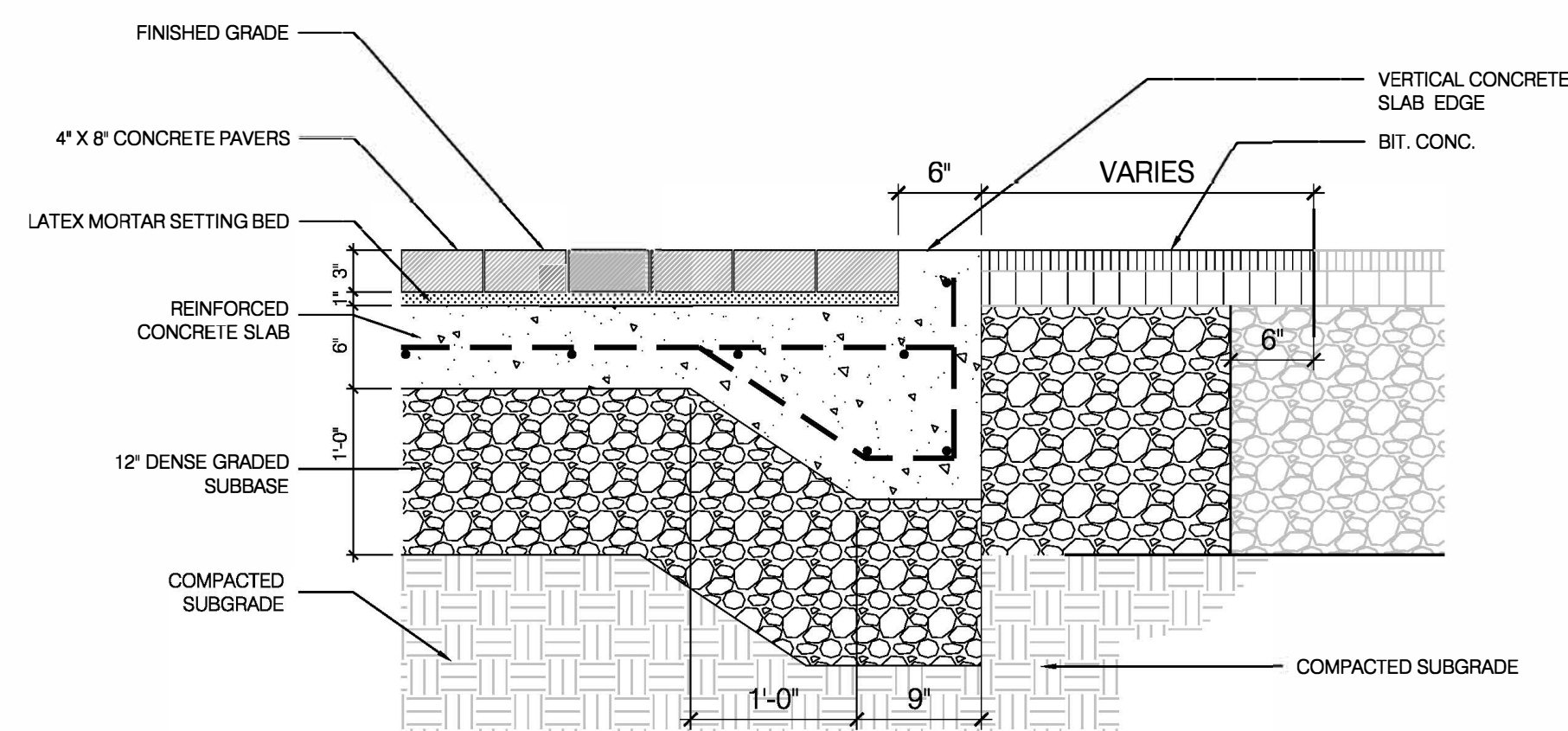
DETAILS

DRAWN: LP REVIEW: MK

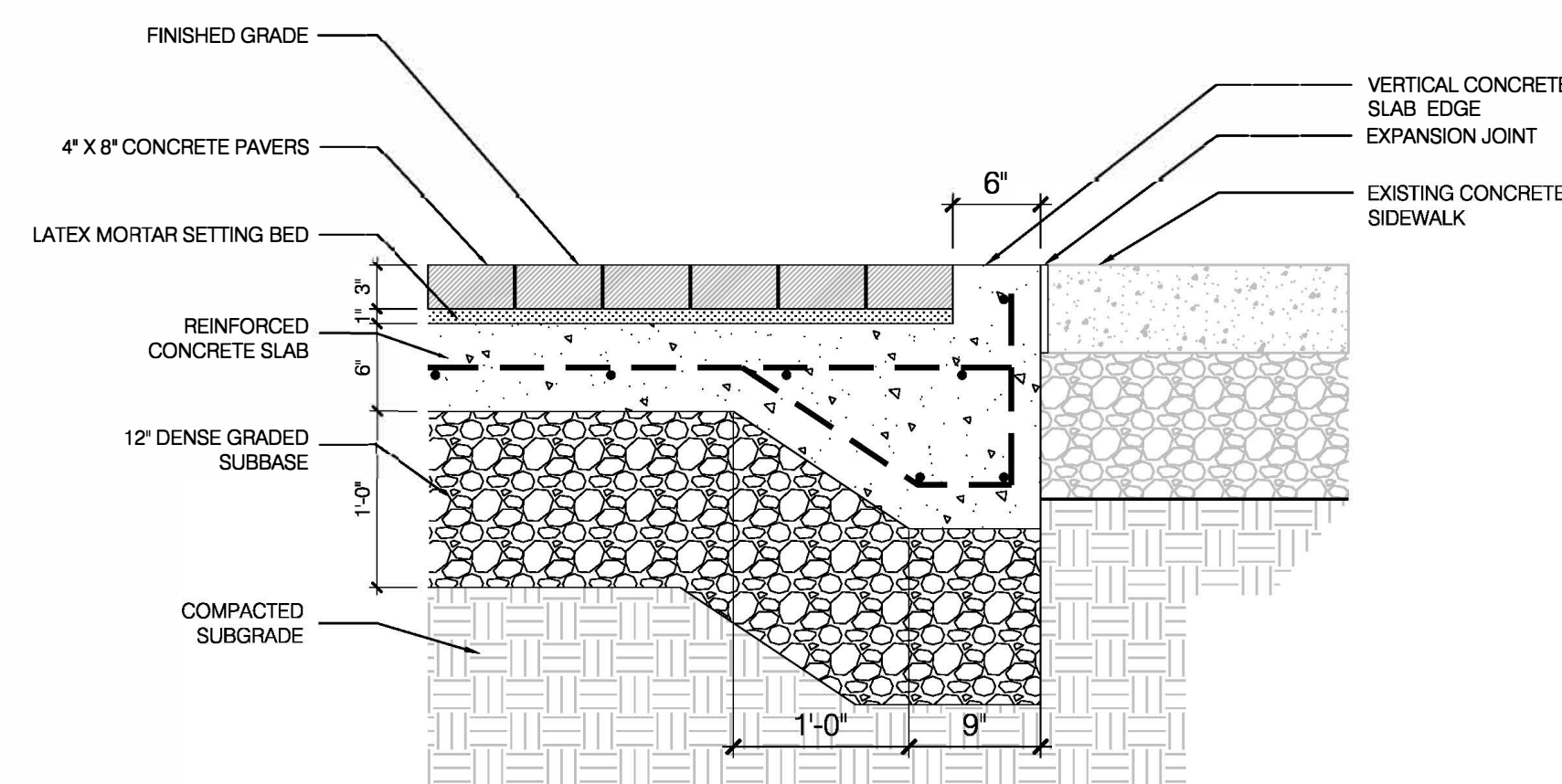
SCALE: AS NOTED

DATE: 15 DECEMBER 2017

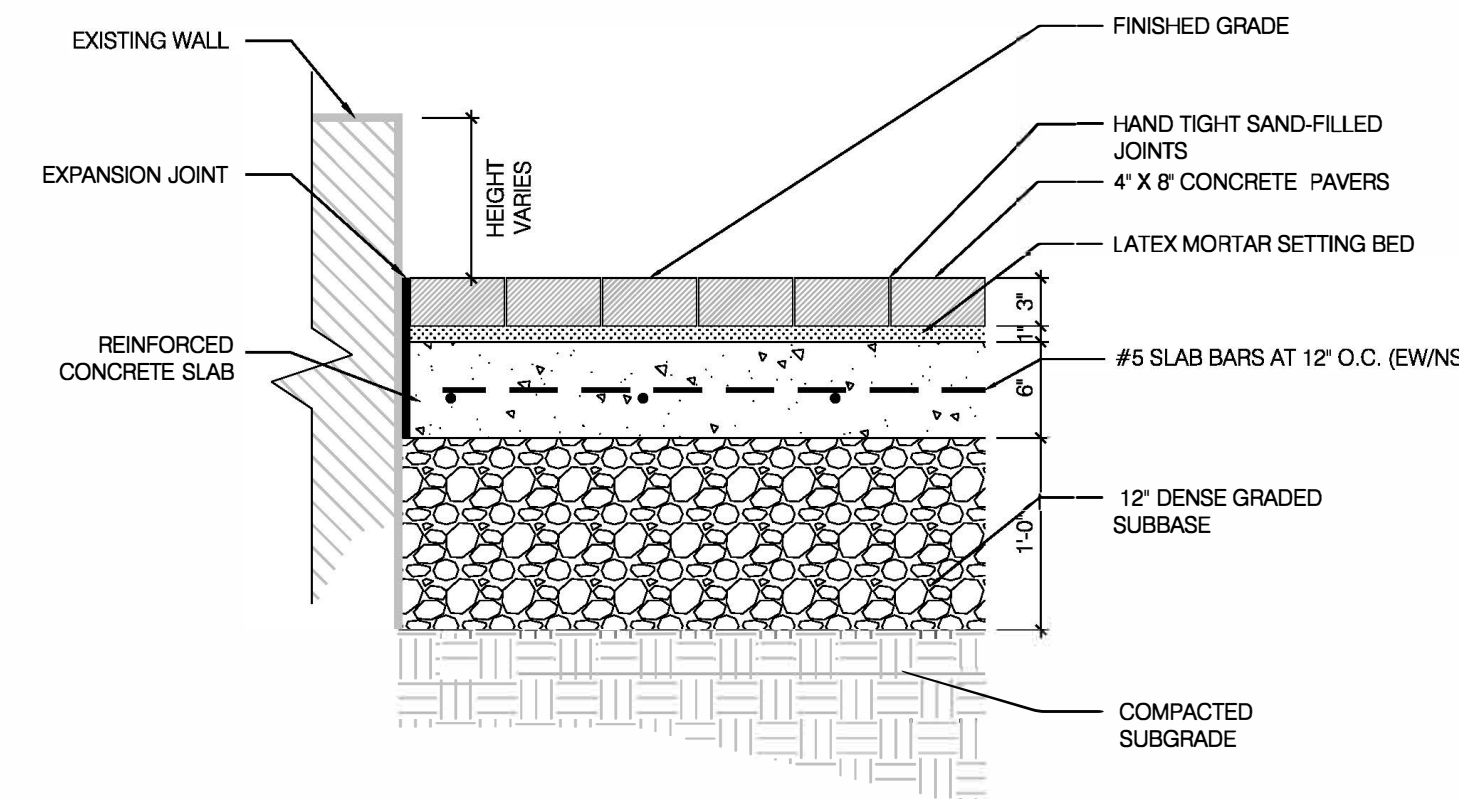
SHEET:



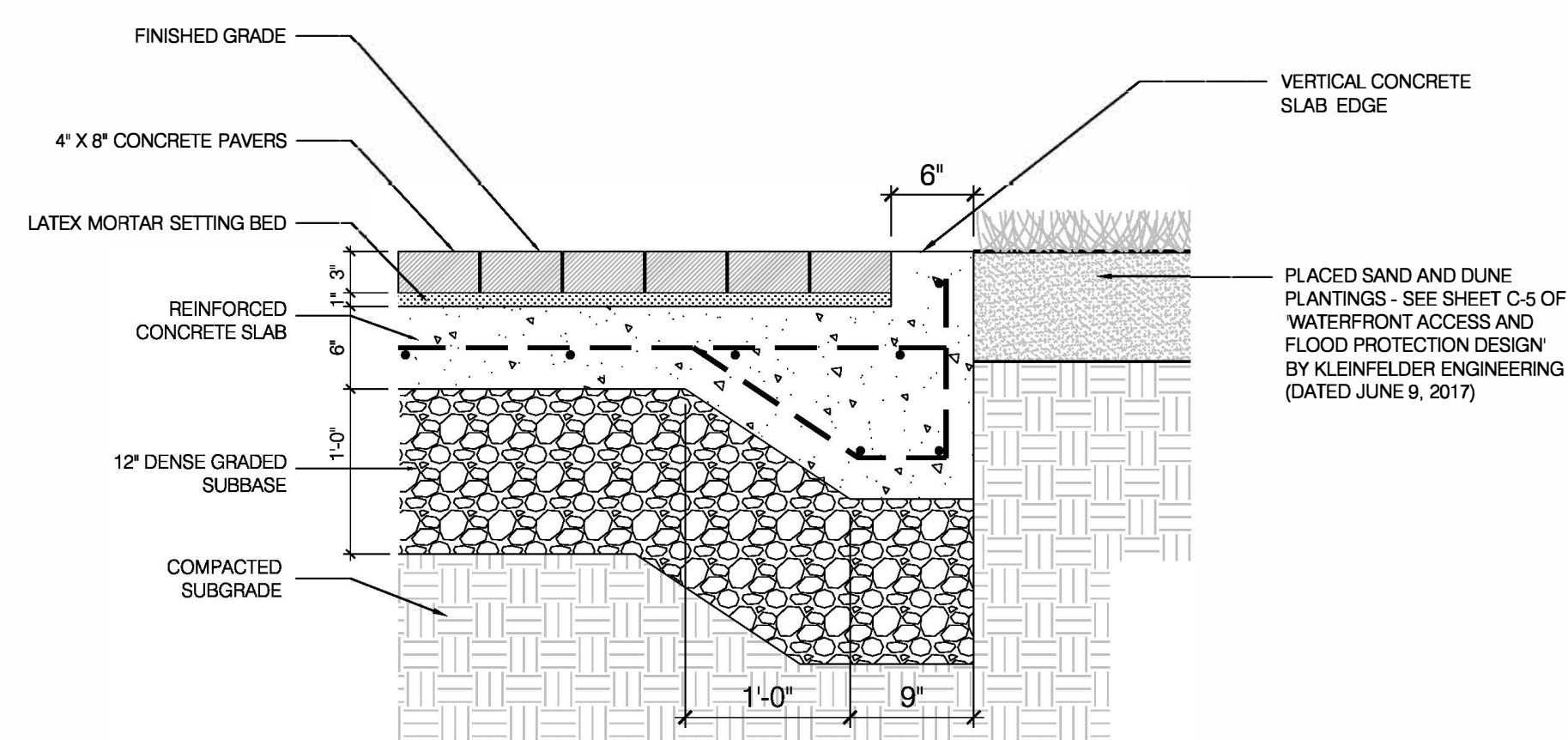
1 CONCRETE CURB & BIT. CONC PATCH
SCALE: 1" = 1'-0"



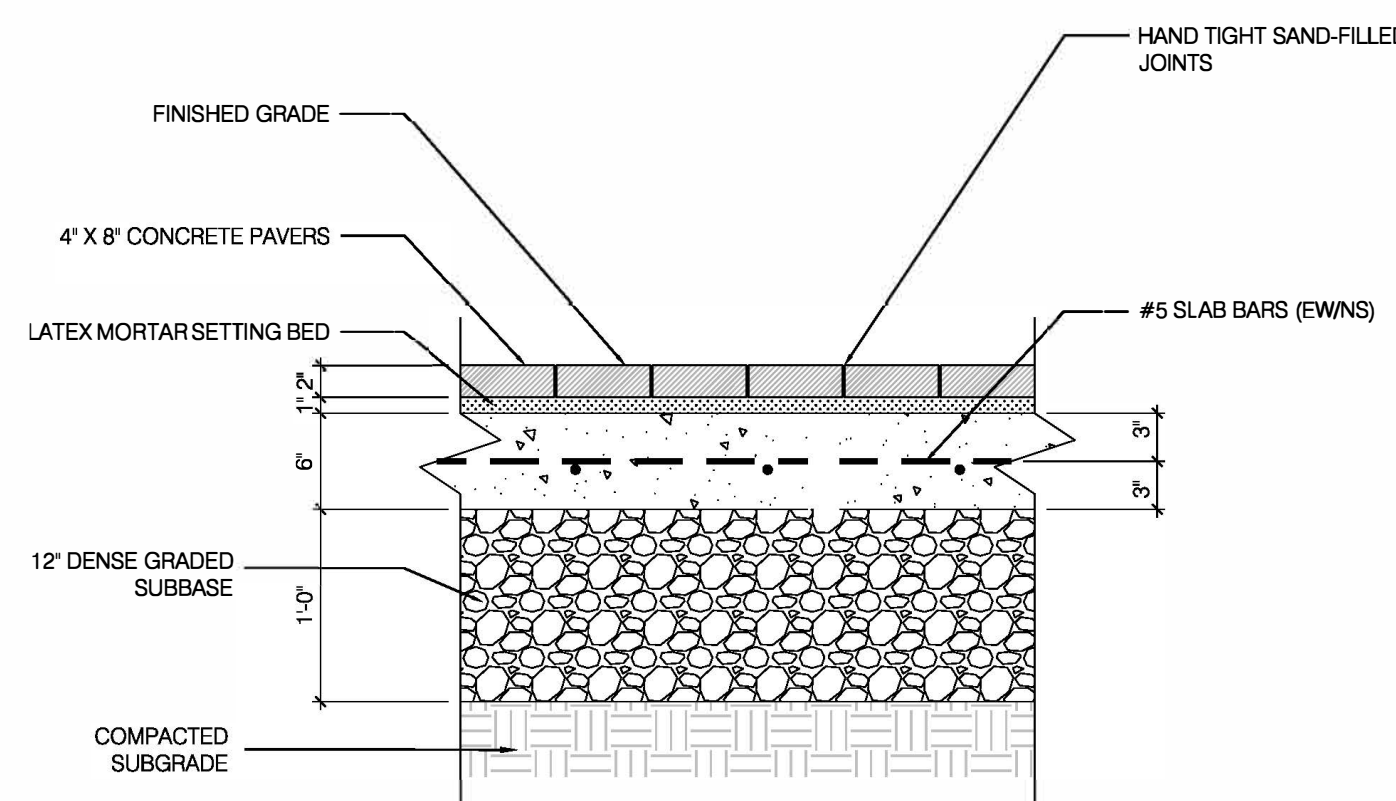
2 CONCRETE CURB & EXISTING SIDEWALK
SCALE: 1" = 1'-0"



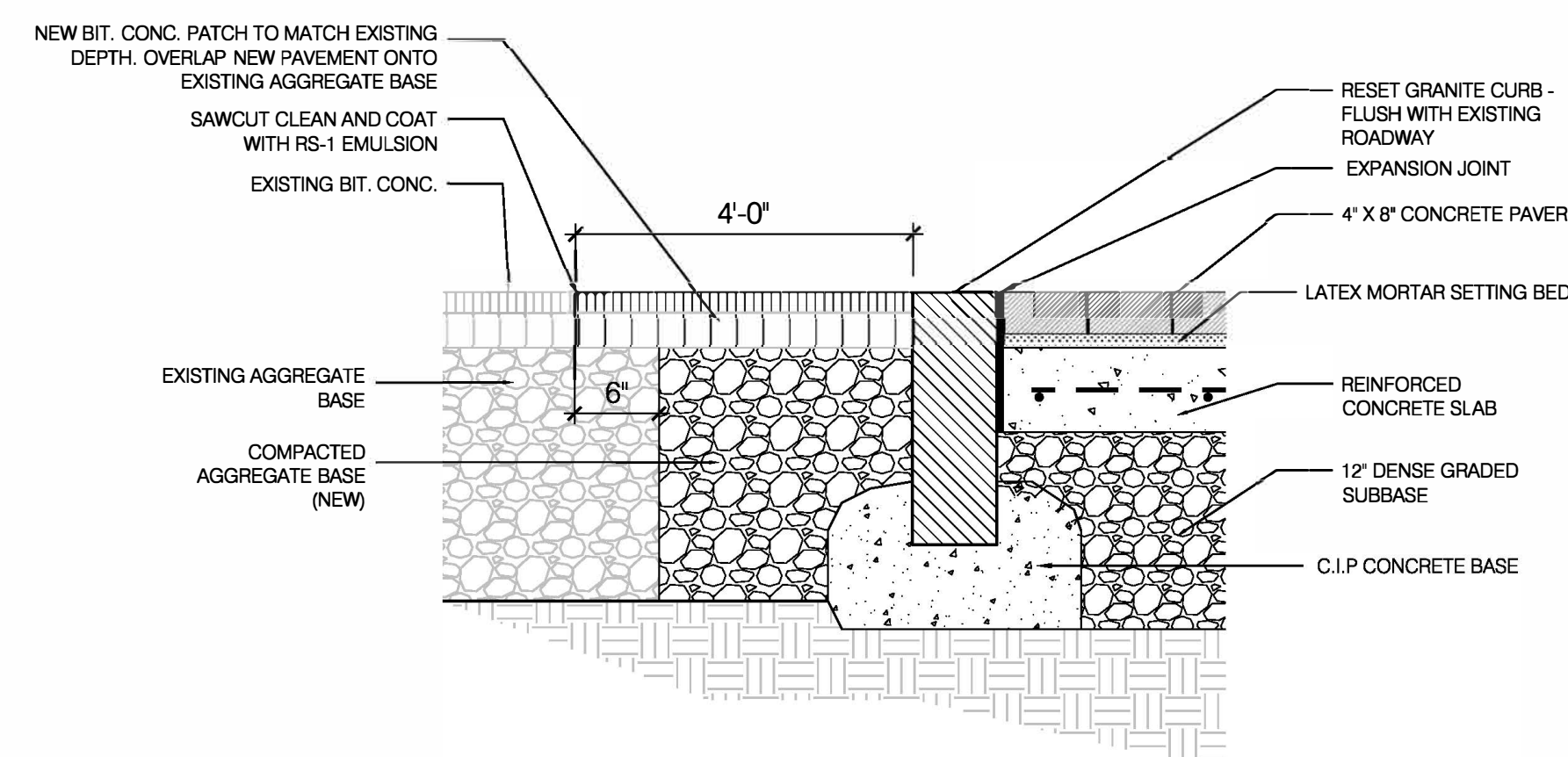
3 CONCRETE PAVERS & EXISTING WALL
SCALE: 1" = 1'-0"



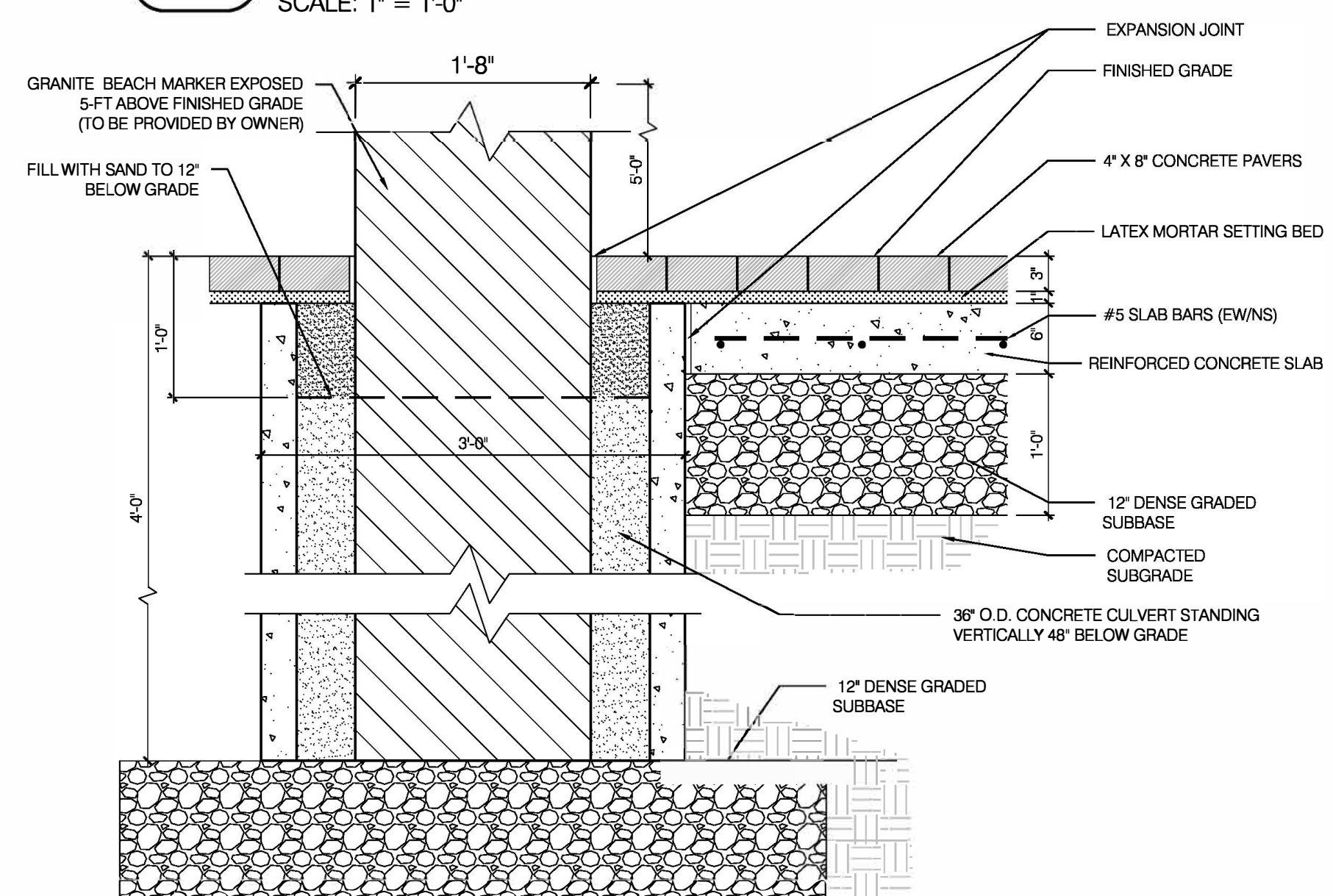
4 CONCRETE CURB AT DUNE'S EDGE
SCALE: 1" = 1'-0"



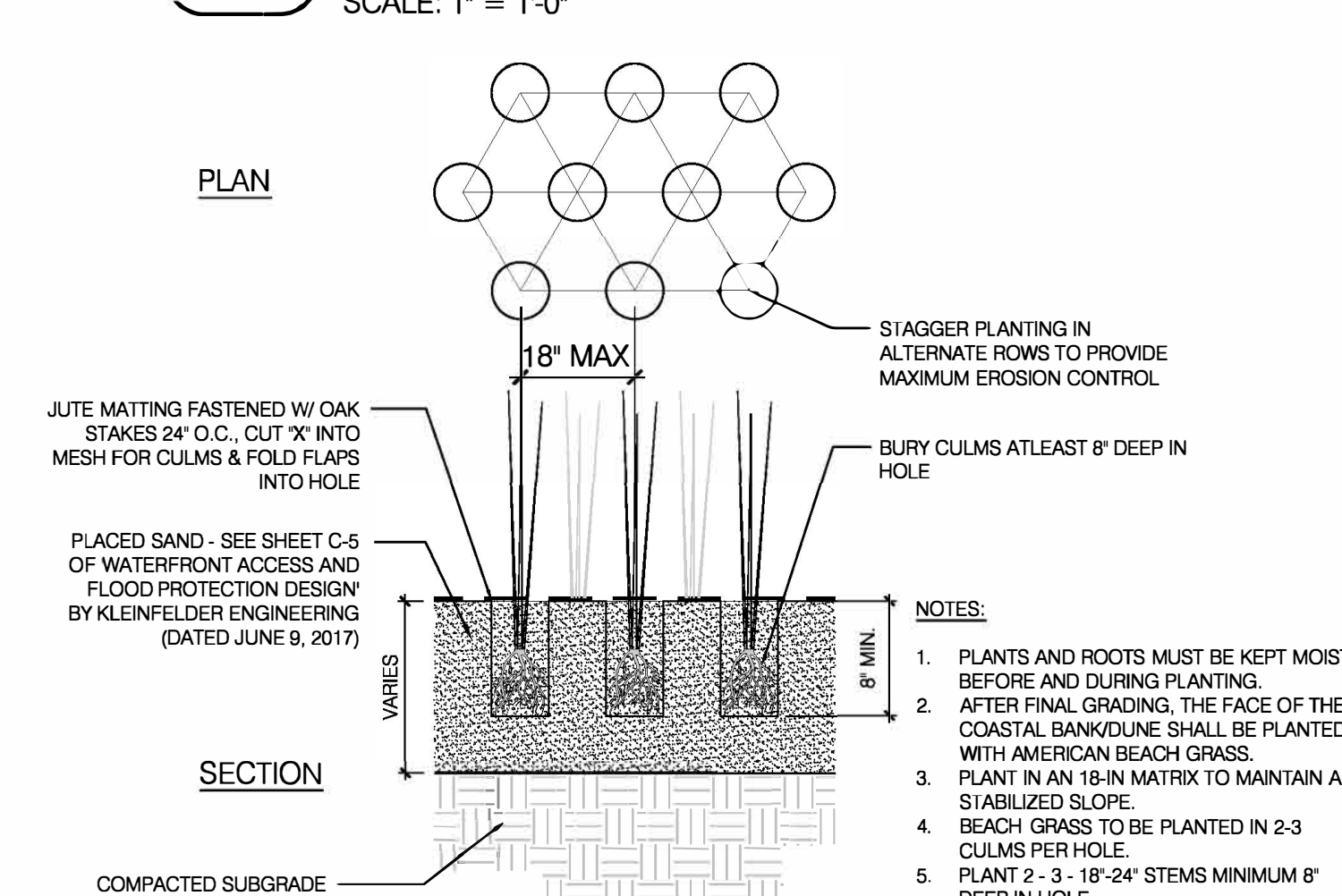
5 CONCRETE UNIT PAVERS
SCALE: 1" = 1'-0"



6 VERTICAL GRANITE CURB & BIT. CONC. PATCH
SCALE: 1" = 1'-0"

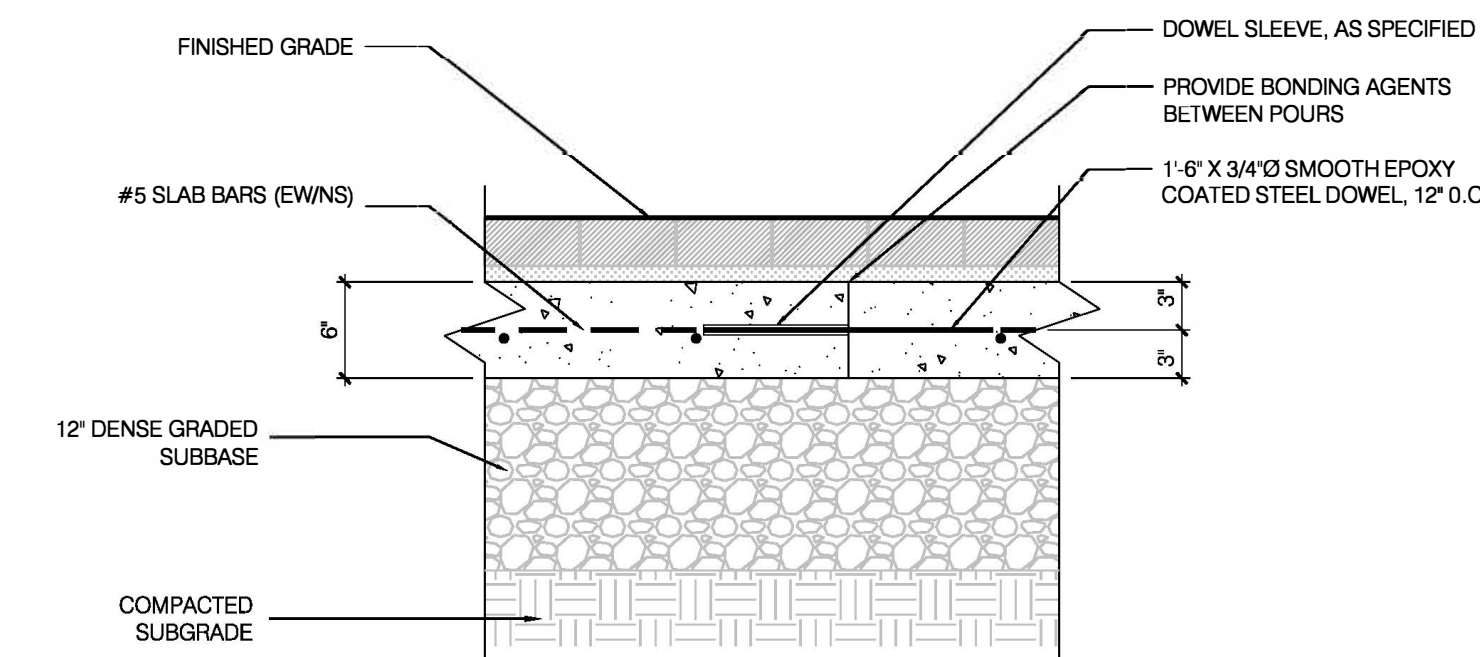


7 GRANITE BEACH MARKER ANCHOR BLOCK
SCALE: 1" = 1'-0"



8 BEACH GRASS PLANTING
SCALE: 1" = 1'-0"

- NOTES:
1. PLANTS AND ROOTS MUST BE KEPT MOIST BEFORE AND DURING PLANTING.
 2. AFTER FINAL GRADING, THE FACE OF THE COASTAL BANK/DUNE SHALL BE PLANTED WITH AMERICAN BEACH GRASS.
 3. PLANT IN AN 18-IN MATRIX TO MAINTAIN A STABILIZED SLOPE.
 4. BEACH GRASS TO BE PLANTED IN 2-3 CULMS PER HOLE.
 5. PLANT 2 - 3 - 18"-24" STEMS MINIMUM 8" DEEP IN HOLE.
 6. COMPACT THE SAND FIRMLY AROUND PLANTS.
 7. INSTALL GRASS BETWEEN OCTOBER 1 AND APRIL 30 ONLY. DO NOT PLANT WHEN SOIL IS FROZEN.



9 CONC. SLAB REINF. & CONSTR. JOINT
SCALE: 1" = 1'-0"